



# EIGER

HYGIENE

**SANITIZER DISPENSER SERIES**

**WALL MOUNTED SANITIZER DISPENSER**



## **INSTRUCTION MANUAL**

*Please read these instructions carefully and retain for future reference.*



**EG-SDW04**

## PACKAGE CONTENTS

- Wall Mounted Sanitizer Dispenser
- 1 x Installation Template
- 4 x Mounting Screws
- 4 x Plugs
- 2 x Cartridge Keys
- Instruction Manual

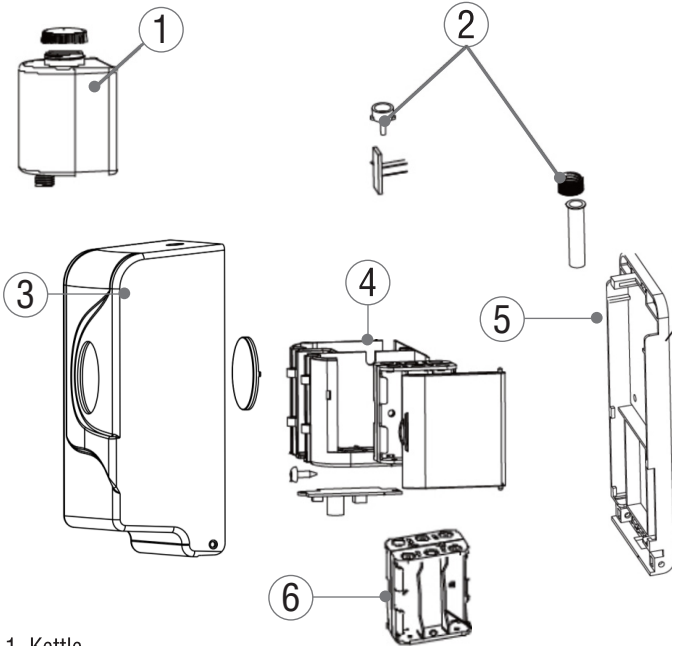
## HIGHLIGHTS

- No-touch Automatic Sensor
- Lockable, Refillable Cartridge
- Suitable for Gel or Liquid Sanitizer

## SPECIFICATIONS

- |                       |                            |
|-----------------------|----------------------------|
| • Outer Size:         | L122 x W106 x H270mm       |
| • Capacity:           | 800 ml                     |
| • Drop Volume:        | 1 ~ 1.5 ml                 |
| • Induction distance: | 8-10 cm                    |
| • Sensor delay:       | 0.5s                       |
| • Weight:             | 0.85 kg                    |
| • Material:           | ABS Plastic                |
| • Batteries:          | 6 x 1.5V AA (Not Included) |

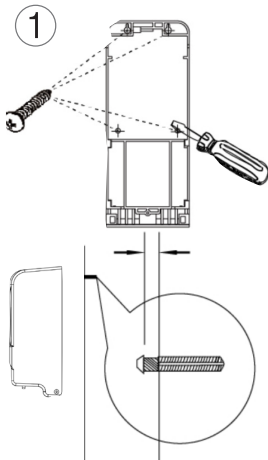
## IDENTIFYING PARTS



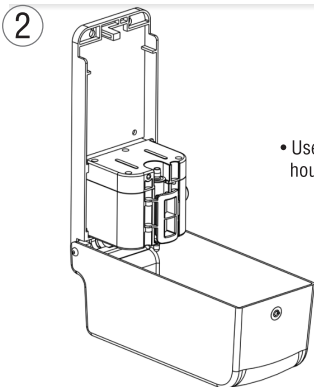
1. Kettle
2. Rubber Dropper
3. Shell
4. Control Box
5. Mounting Plate
6. Battery Holder

# INSTRUCTIONS FOR USE

## INSTALLATION STEPS: TILE , DRY WALL, PLASTER

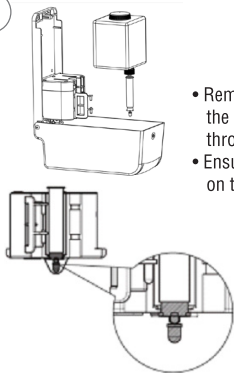


- Tape the installation template at the appropriate location on the mounting surface
- Drill four (4) holes at marked location
- Insert four (4) plastic anchors (supplied) into drilled holes
- Insert two (2) screws (supplied) into top plastic anchors
- Hang the dispenser



- Use the key to unlock and pull forward the housing cover

3



- Remove the sanitizer cartridge and fasten the dispenser to the wall with the remaining two (2) screws (supplied) through the bottom holes. Tighten all screws.
- Ensure that the raised part of the white plastic is installed on the outside of the black plastic

## CLEANING & CARE INSTRUCTIONS - GENERAL

- **Before Cleaning:** Ensure that your dispenser is turned off before cleaning or maintaining it.
- **Cleaning:** Wipe down the surface of your Dispenser using a soft cloth.
- Do not use any harsh or abrasive cleaning chemicals or materials on your Dispenser as doing so may damage or scratch the surface finish.
- Do not expose your Dispenser to direct sunlight or high temperatures for extended periods of time.
- Do not store in temperatures over 140 °F (60 °C).

## SAFETY PRECAUTIONS

### **If There Is No Power:**

- Check that the batteries are installed correctly
- Check that the power switch is on

### **If The Dispenser Doesn't Work:**

- Ensure any trapped air has been worked out of the pumping mechanism first.
- Ensure there is sanitizer in the container
- Ensure the container is free of dust before filling with sanitizer
- Use clean, damp cloth to clean dispenser mechanism
- Use clean, dry cloth to clean the battery compartment
- To clean the pump mechanism, fill container with water and operate the dispenser several times to clean the output pipe

## ENVIRONMENTALLY FRIENDLY DISPOSAL

### IMPORTANT INFORMATION FOR CORRECT DISPOSAL OF THE PRODUCT IN ACCORDANCE WITH THE EUROPEAN DIRECTIVE ON WASTE ELECTRICAL AND ELECTRONIC EQUIPMENT.

At the end of its working life, the product must not be disposed of as urban waste. It must be taken to a special local authority differentiated waste collection center or to a dealer providing this service. Disposing of a household appliance separately avoids possible negative consequences for the environment and health deriving from inappropriate disposal and enables the constituent materials to be recovered to obtain significant savings in energy and resources. As a reminder of the need to dispose of household appliances separately, the product is marked with a crossed-out wheeled dustbin.



## DISCLAIMER

All product and company names are trademarks™ or registered® trademarks of their respective holders. Use of them does not imply any affiliation with or endorsement by them.

## WARRANTY

This Eiger Hygiene Wall Mounted Sanitizer Dispenser comes with a standard 12-month limited warranty against manufacturing defects and faults.

Should the product be unboxed with any faulty parts, poor finishing or visible damage, or fail to perform due to a manufacturing defect or poor workmanship, please return it with your proof of purchase (till slip or invoice) to the store of purchase for an exchange, or repair, depending on the store's returns policy.

This warranty commences from the date of purchase.

Kindly retain your proof of purchase as well as the packaging for your warranty period.

### **NOTE:**

The warranty does not apply to a product that:

- a) Has failed due to excessive wear and tear beyond what is considered to be reasonable.
- b) Has been misused or neglected.
- c) Has been damaged accidentally or by Force Majeure including fire and flooding.
- d) Has been used or operated contrary to operating or maintenance instructions outlined in this manual.

The Store of Purchase / Seller cannot accept any returned products that have not been returned in accordance with this warranty or which does not follow their own Returns Policy. Please refer to the Store of Purchase / Sellers Returns Policy for details.

Should you require any further assistance or have any questions on your warranty, please contact the store of purchase.